



SLO310

D-60-54

Outdoor light transmitter  
0-10 V

17 Aug 2004

SLO310 is an electronic light transmitter that converts a lux measurement into an electric signal 0-10 V. It has two sensitivity ranges to suit different light levels: 0-400 lx (e.g. for controlling outdoor lighting) and 0-20 klx (for controlling sunshade systems).

The transmitter is delivered as a complete unit, comprising the sensing element, an amplifier mounted in a housing, which is resistant to ultra-violet light.

The transmitter is intended for wall mounting outdoors.

The sensitivity peak is for light at an angle of incidence of 0° to the perpendicular. The sensor has the same spectrum sensitivity peak as the human eye.

The transmitter is delivered as a complete unit, comprising a junction box with amplifier and sensor.

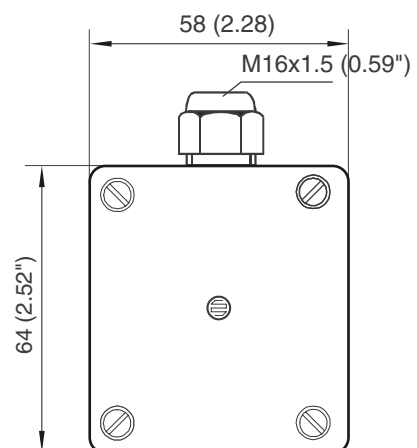
The transmitter shall be connected with a 3-wire cable.



### TECHNICAL SPECIFICATION

Part number .....	0-069-2062-0
Range .....	Jumper : 0-400 lx Jumper: 0-20 klx
Signal output .....	0 - 10 V
Materials:	
Housing .....	polyamide plastic
Enclosure rating .....	IP 65
Dimensions (in mm) .....	according to figure
Weight .....	100 g, weight, incl standard packing, in brackets
Power .....	24 Vac +/- 10%, 15-36 VDC
Accuracy .....	±5%
	at ambient temp of 25 °C and $U_G = 24$ V DC
Wavelength at max. sensitivity .....	600 nm ( standard light A/2854K color temp.)
Temperature dependence .....	±0.05%/°C
	at ambient temp. of 25 °C and $U_G = 24$ V
Load resistance .....	> 50 kohm
Current consumption, typical:	
Range 0 -400 lx .....	8 mA
Range 0 - 20 klx .....	13 mA
Ambient temperature .....	min. -20 °C (-4 °F) max. +70 °C (158 °F)
Standards:	
EMC .....	EN 50081-1, EN 50082-1

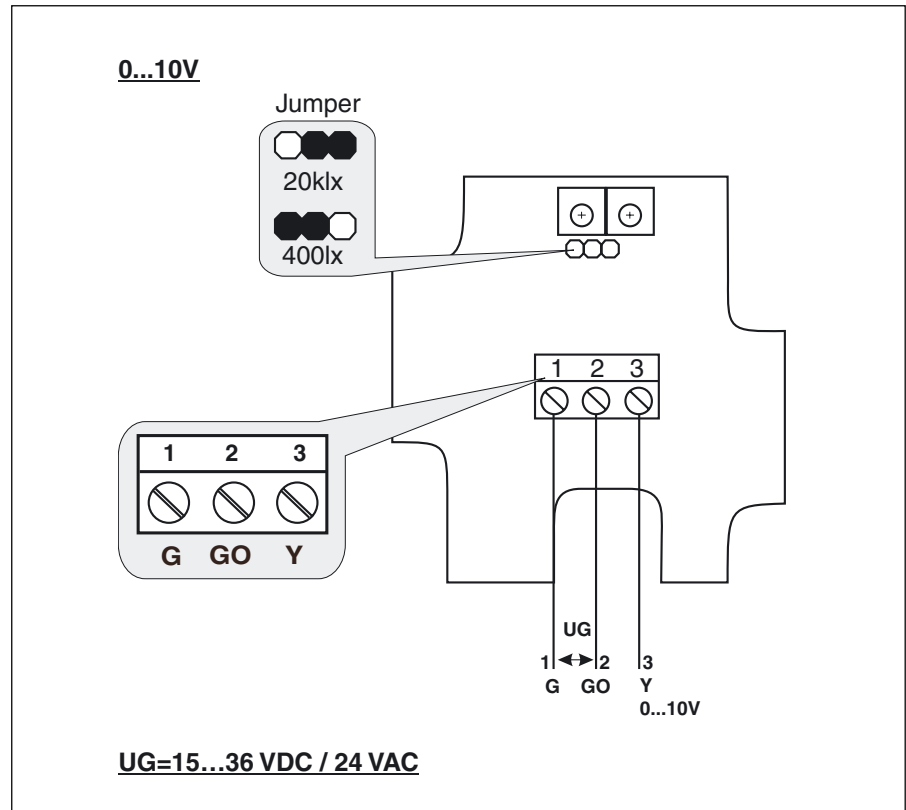
Dimensions in mm (inches)



## WIRING

Cable: 0.2-1.5 mm<sup>2</sup>.

**Note!** Avoid contact with the sensor terminals if the connection wires are live.



## ADJUSTMENT

The unit is supplied ready calibrated with a specified range and precision.

No further calibration is normally required.

Trademarks and registered trademarks are the property of their respective owners.  
TAC Vista®, TAC Menta®, TAC Xenta® and TAC I-talk® are registered trademarks of TAC AB.  
LonMark® and LonWorks® are registered trademarks of the Echelon Corporation.  
Windows® is a registered trademark of Microsoft.

[www.tac.com](http://www.tac.com)