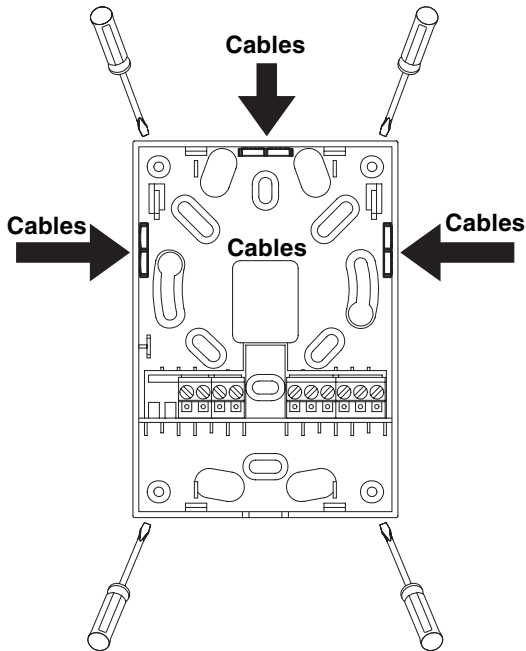


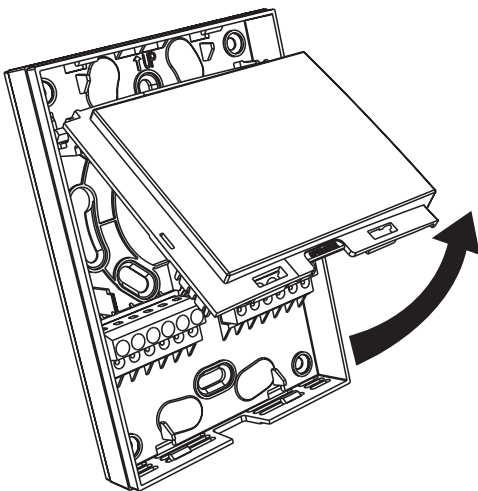
MOUNTING, CABLES



To avoid base-plate deformation, be careful when tightening the mounting screws. Note that the enclosed screws are mainly intended for the US and Australian markets.

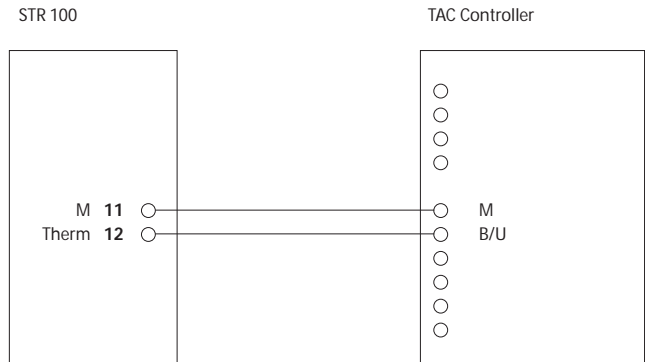
REMOVING THE CORE

The core panel is attached to the base-plate using two hinges. Remove the core panel by pushing the bottom of the core panel upwards, then unhinging the core panel from the base-plate.

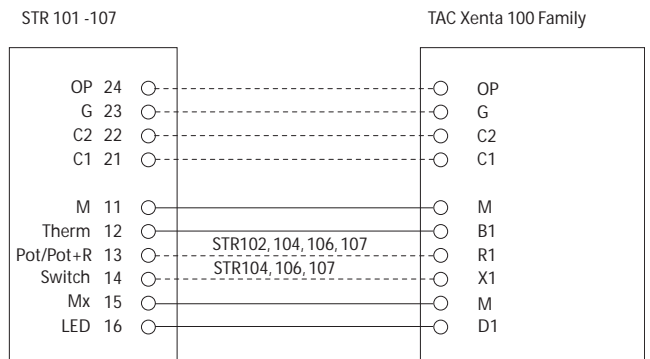


CONNECTING

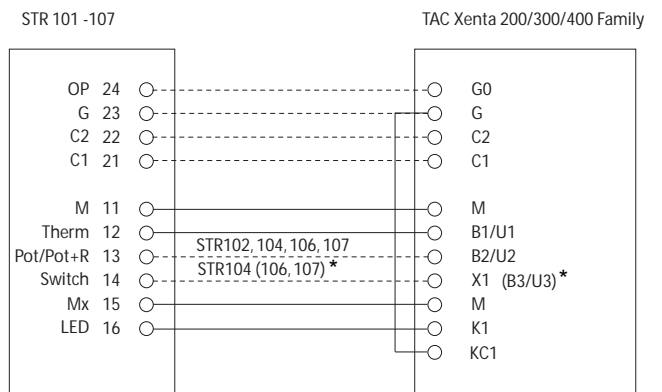
Connecting STR100 to a TAC Generic Controller



Connecting STR101-107 to a TAC Xenta 100 Controller



Connecting STR101-107 to a TAC Xenta 200/300/400 Controller



*Note that the STR104 may be connected to an X input while the STR106 and STR107 must be connected to a B or U input.

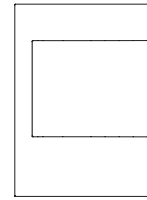
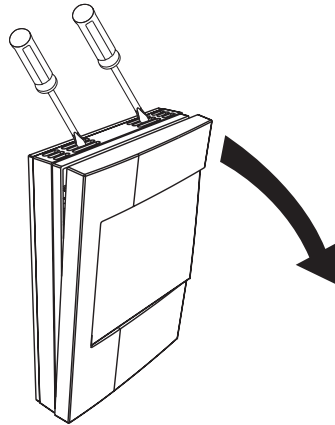
Wiring

Cable type Twisted pair, unshielded
 Cable size Min 0.7 mm² (19 AWG)
 Distance Max 30 m (100 Ft)

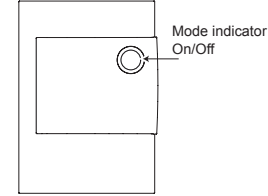
ATTACHING/REMOVING THE FRONT

The front is attached to the base-plate using four clamps, two at the top of the front panel and two at the bottom.

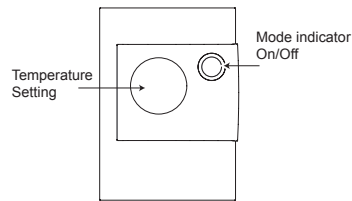
When removing the front-panel use a screwdriver (or similar) and push gently to unhook the clamps at the top or bottom of the front panel.



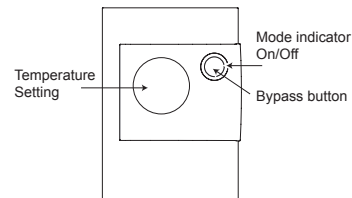
STR100



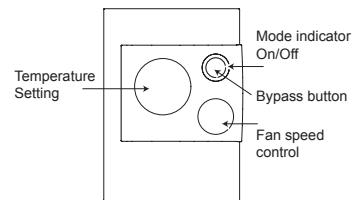
STR101



STR102

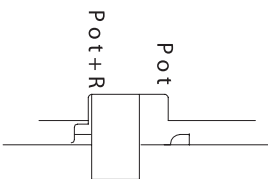
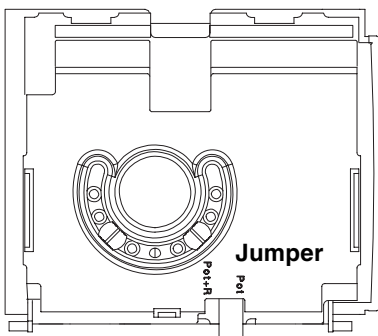


STR104

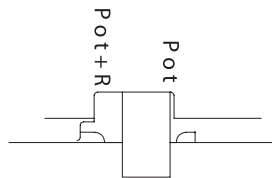


STR106/STR107

JUMPER POSITION



TAC Xenta 200, 300 and 400 series
Position of jumper when a TAC Xenta 200, 300 or 400 controller is used.



TAC Xenta 100 series
Position of toggle when a TAC Xenta 100 controller is used.

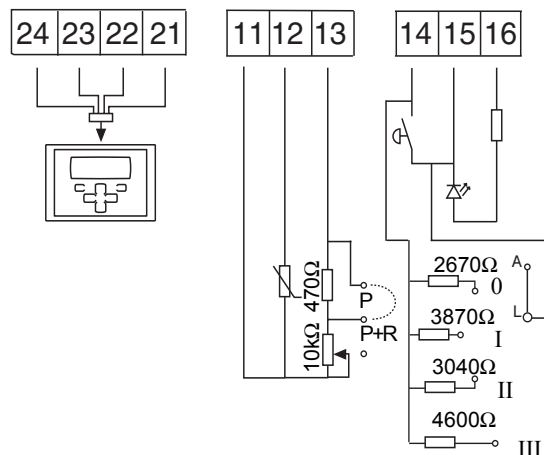
TEMPERATURE WHEEL

The temperature is controlled using the temperature setting wheel. The adjustment range on the temperature wheel may be set in the following steps:

- ± 1 °C (± 1.8 °F)
- ± 2 °C (± 3.6 °F)
- ± 3 °C (± 5.4 °F)
- ± 4 °C (± 7.2 °F)
- ± 5 °C (± 9 °F)

The adjustment is done using plastic keys on the back of the core.

STR106



Trademarks and registered trademarks are the property of their respective owners.

TAC Vista®, TAC Menta®, TAC Xenta® and Talking Buildings® are registered trademarks of TAC AB. LonMark® and LonWork® are registered trademarks of the Echelon Corporation. Windows® is a registered trademark of Microsoft.