



ROOM THERMOSTATS FOR FAN COIL WITH PROPORTIONAL OUTPUT FOR 2- PIPE SYSTEM WITH ECONOMY FUNCTION AND REMOTE SEASON CHANGE OVER

DB-TA-3B5..A

FUNCTION

Temperature control in heating, ventilation, refrigeration and air conditioning for typically 2- pipe fan coil systems with proportional valve.

- 1 proportional output 0...10 Vdc
- 1 remote season change over
- manual selection of On/Off, 3 fan speed
- economy function

The thermostat is provided with a LCD display and keys +/- for parameters setting like the range, proportional band and economy mode. When the thermostat is on the fan is on at the speed selected manually and the proportional output is set according to parameter setting.

In addition an economy function is available with a remote contact. When the contact is closed the thermostat works with an economy mode.

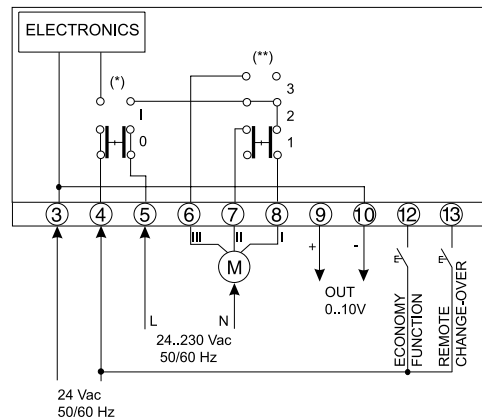
TYPE	ON/OFF	3- SPEED	S/W
DB-TA-3B5-13A	•	•	remote
DB-TA-3B5-03A		•	remote
DB-TA-3B5-10A	•		remote
DB-TA-3B5-00A			remote

TECHNICAL FEATURES

Power supply:	24 Vac \pm 10%, 50/60 Hz
Inputs:	external contacts for economy and season change over function
Outputs:	1 prop. output 0...10 Vdc ($R_L > 10$ kOhm) speeds: 24...230 Vac 6 A
Power consump.:	1 W
Sensor:	NTC 10K
Range:	+5...+30 °C
Economy:	adjustable range between +5...+30 °C
Prop. band:	$\pm 0,5... \pm 2,5$ K
Display:	resolution 0.1 °C
Working:	0...+40 °C
	10...90% r.h. (non condensing)
Storage:	-20...+70 °C
	< 95 % r.h.
Housing:	ABS self-extinguished according to UL94 V-0 color (RAL 9010)
Protection class:	IP30, class II
Size:	144 x 82 x 34 mm
Weight:	220 g

ELECTRICAL WIRING

DB-TA-3B5-XXA



ECONOMY FUNCTION contact closed: economy function selected
ECONOMY FUNCTION contact opened: economy function not selected
SEASON CHANGE OVER contact closed: reverse action (heating)
SEASON CHANGE OVER contact opened: direct action (cooling)

(*) only for models DB-TA-3B5-13A, DB-TA-3B5-10A

(**) only for models DB-TA-3B5-13A, DB-TA-3B5-03A

Logic of proportional output

