



ROOM THERMOSTATS FOR FAN COIL WITH 2 PROPORTIONAL OUTPUTS FOR 4- PIPE SYSTEM WITH ECONOMY FUNCTION

DB-TA-3A5..A

FUNCTION

Temperature control in heating, ventilation, refrigeration and air conditioning for typically 4- pipe fan-coil systems with proportional valves.

- 2 proportional outputs 0...10 Vdc with dead zone
- manual selection of On/Off, 3 fan speeds
- economy function

parameters setting like the range, the neutral zone, proportional heating and cooling bands, economy mode. When the thermostat is on the fan is on at the speed selected manually and the proportional outputs are set according to parameters setting. In addition an economy function is available with a remote contact. When the contact is closed the thermostat works with an economy mode.

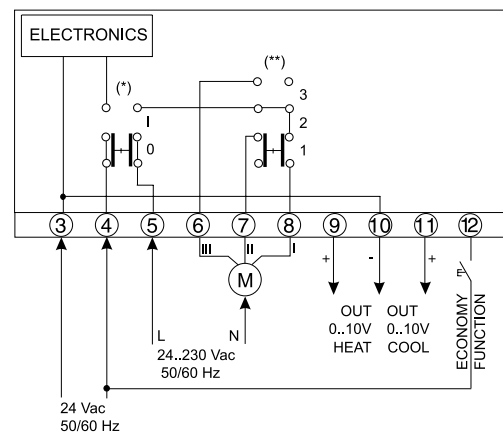
The thermostat is provided with a LCD display and keys +/- for

TYPE	ON/OFF	3- SPEED	DEAD ZONE K
DB-TA-3A5-13A	•	•	1...4
DB-TA-3A5-03A		•	1...4
DB-TA-3A5-10A	•		1...4
DB-TA-3A5-00A			1...4

TECHNICAL FEATURES

Power supply:	24 Vac \pm 10%, 50-60 Hz
Input:	external contact for economy function
Outputs:	valves: 2 prop. outputs 0...10 Vdc ($R_L > 10$ kOhm) speeds: 24...230 Vac 6 A
Power cons.:	1 W
Sensor:	NTC 10K
Range:	+5...+30 °C
Prop. band:	\pm 0,5... \pm 2,5 K
Economy:	adjustable range between +5...+30 °C
Display:	resolution 0.1°C
Working:	0...+40 °C
	10...90% r.h. (non condensing)
Storage:	-20...+70 °C
	< 95 % r.h.
Housing:	ABS self-extinguished according to UL94 V-0 color (RAL 9010)
Protection class.:	IP30, class II
Size:	144 x 82 x 34 mm
Weight:	220 g

ELECTRICAL WIRING

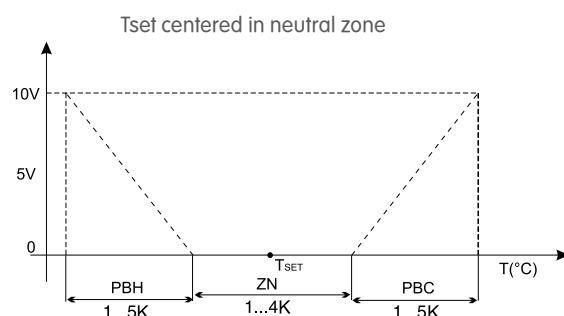
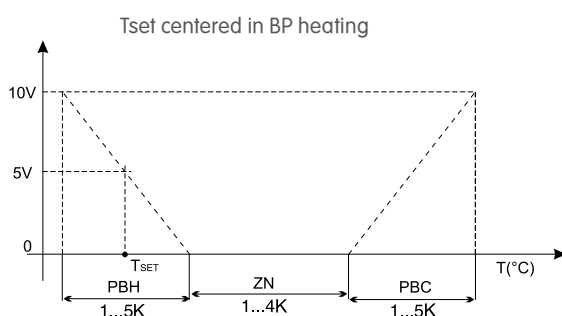


ECONOMY FUNCTION contact closed: economy function selected
ECONOMY FUNCTION contact opened: economy function not selected

(*) only for models DB-TA-3A5-13A, DB-TA-3A5-10A

(**) only for models DB-TA-3A5-13A, DB-TA-3A5-03A

Logic of proportional output



ZN neutral zone
PBH proportional heating band
PBC proportional cooling band

