



## ROOM CONTROLLERS FOR 4- PIPE SYSTEM

DB-TA-3A3..A

### FUNCTION

4- pipe fan coil control for room temperature applications with:

- 2 relays output with dead zone (dEZ);
- manual selection of On/Off, 3 fan speeds (depending on model);
- internal or remote temperature sensor (optional).
- economy function

parameters setting like the range, the neutral zone, hysteresis for heating and cooling stages, the position of setpoint in the neutral zone and economy mode state. In normal condition of use the temperature is visualized with a step of 0.1°C. The voltage free On/Off switch connected together with the 3 fan speeds switch allow to power on and off the fan. In addition activation by parameter of economy function is available directly on the unit or remotely by an external contact.

The thermostat is provided with a LCD display and keys +/- for

| TYPE          | ON/OFF | 3- SPEED | W/S |
|---------------|--------|----------|-----|
| DB-TA-3A3-13A | •      | •        | zn  |
| DB-TA-3A3-19A | •      |          | zn  |
| DB-TA-3A3-93A |        | •        | zn  |
| DB-TA-3A3-99A |        |          | zn  |

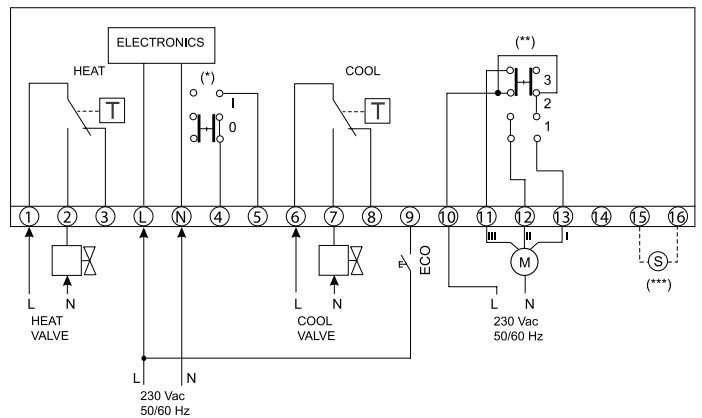
#### On request:

optional remote 1 m cable sensor, selectable by jumper; ordering code: NTA010-623.

### TECHNICAL FEATURES

**Power supply:** 230 Vac  $\pm$  10 %, 50/60 Hz  
**Input:** ext. contact for economy function  
**Outputs:** 2 relays SPDT 230 Vac 6 A  
 speeds: 6 A 230 Vac  
**Power cons.:** 1 W  
**Sensor:** NTC 10K  
**Range:** +5...+30 °C  
**Hysteresis:** 0.5...4 K  
**Dead zone:** 1...4 K  
**Economy:** adjustable range between +5...+30 °C  
**Display:** resolution 0.1 °C  
**Working:** 0...+40 °C  
 10...90% r.h. (non condensing)  
 -20...+70 °C  
 < 95 % r.h.  
**Storage:**  
 -20...+70 °C  
 < 95 % r.h.  
**Housing:** ABS self-extinguished according to UL94 V-0  
 color (RAL 9010)  
**Protection class:** IP30, class II  
**Size:** 144 x 82 x 34 mm  
**Weight:** 220 g

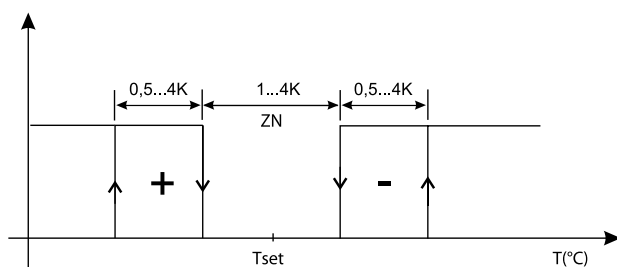
### ELECTRICAL WIRING



- (\*) only for models DB-TA-3A3-13A, DB-TA-3A3-19A  
 (\*\*\*) only for models DB-TA-3A3-13A, DB-TA-3A3-93A  
 (\*\*\*) remote sensor (optional)  
 (ECO) economy function

### Logic of relay outputs

#### Setpoint centered on neutral zone



#### Setpoint on heating stage

