



ROOM CONTROLLERS FOR 4- PIPE SYSTEM

DB-TA-3A3..9

FUNCTION

4- pipe fan coil control for room temperature applications with:

- 2 relays output with dead zone (dEZ);
- manual selection of On/Off, 3 fan speeds (depending on model);
- internal or remote temperature sensor (optional).

The thermostat is provided with a LCD display and keys +/- for

parameters setting like the range, the neutral zone, hysteresis for heating and cooling stages, the position of setpoint in the neutral zone. In normal condition of use the temperature is visualized with a step of 0.1 °C. The voltage free On/Off switch connected together with the 3 fan speeds switch allow to power on and off the fan. On request it is possible to have a version with economy function by a remote contact. When the contact is closed the thermostat works with an economy mode.

TYPE	ON/OFF	3- SPEED	W/S
DB-TA-3A3-139	•	•	zn
DB-TA-3A3-199	•		zn
DB-TA-3A3-939		•	zn
DB-TA-3A3-999			zn

zn dead zone

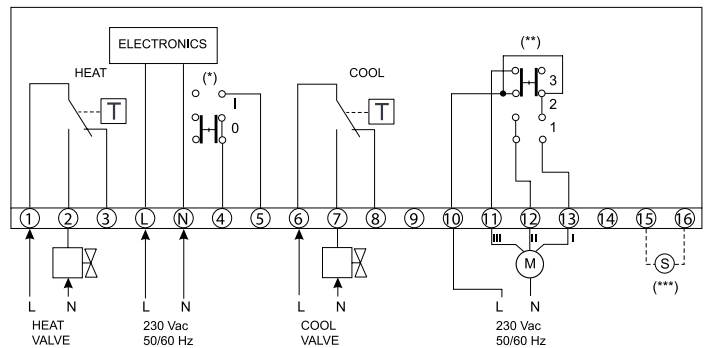
On request:

optional remote 1 m cable sensor, selectable by jumper; ordering code: NTA010-623.

TECHNICAL FEATURES

Power supply: 230 Vac \pm 10 %, 50/60 Hz
Output: valves: 2 relays SPDT 230 Vac 6 A
 speeds: 230 Vac 6 A
Power consumption: 1 W
Sensor: NTC 10K
Range: +5...+30 °C
Hysteresis: 0.5...4 K
Dead zone: 1...4 K
Display: resolution 0.1 °C
Working: 0...+40 °C
 10...90% r.h. (non condensing)
 -20...+70 °C
 < 95 % r.h.
Storage:
Housing: ABS self-extinguished according to UL94 V-0 color (RAL 9010)
Protection class: IP30, class II
Size: 144 x 82 x 34 mm
Weight: 220 g

ELECTRICAL WIRING



(*) only for models DB-TA-3A3-139, DB-TA-3A3-199

(**) only for models DB-TA-3A3-139, DB-TA-3A3-939

(***) remote sensor (optional)

Logic of relays output

