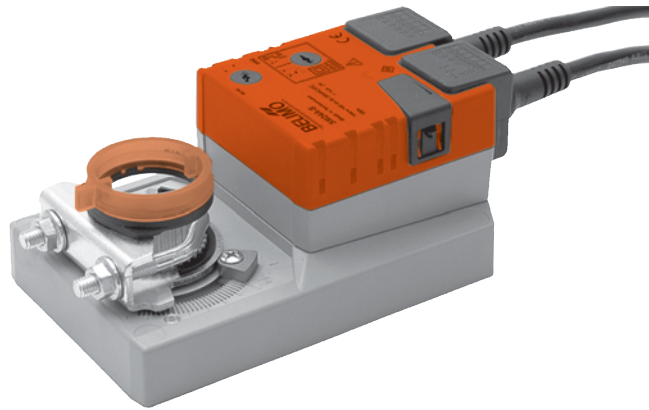


Damper actuator for operating air control dampers in ventilation and air-conditioning systems for building services installations

- For air control dampers up to approx. 4 m²
- Torque 20 Nm
- Nominal voltage AC 100 ... 240 V
- Control: Open-close or 3-point
- Integrated auxiliary switch



Technical data

Electrical data	Nominal voltage	AC 100 ... 240 V, 50/60 Hz	
	Nominal voltage range	AC 85 ... 265 V	
	Power consumption	In operation	2.5 W @ nominal torque
		At rest	0.6 W
		For wire sizing	6 VA
	Auxiliary switch	1 x SPDT, 1 mA ... 3 (0.5) A, AC 250 V <input type="checkbox"/> (0 ... 100% adjustable)	
Connection	Motor	Cable 1 m, 3 x 0.75 mm ²	
	Auxiliary switch	Cable 1 m, 3 x 0.75 mm ²	
Functional data	Torque (nominal torque)	Min. 20 Nm @ nominal voltage	
	Direction of rotation	Reversible with switch 0 ↺ or 1 ↻	
	Manual override	Gearing latch disengaged with pushbutton, self-resetting	
	Angle of rotation	Max. 95°↔, limited on both sides by means of adjustable, mechanical end stops	
	Running time	150 s	
	Sound power level	Max. 45 dB (A)	
	Position indication	Mechanical, pluggable	
Safety	Protection class	II Totally insulated <input type="checkbox"/>	
	Degree of protection	IP54 in any mounting position	
	EMC	CE according to 89/336/EEC	
	Low voltage directive	CE according to 73/23/EEC	
	Mode of operation	Type 1 (to EN 60730-1)	
	Ambient temperature range	-30 ... +50 °C	
	Non-operating temperature	-40 ... +80 °C	
	Ambient humidity range	95% r.H., non-condensating (EN 60730-1)	
Maintenance	Maintenance-free		
Dimensions / Weight	Dimensions	See «Dimensions» on page 2	
	Weight	Approx. 1'100 g	

Safety notes



- The damper actuator is not allowed to be used outside the specified field of application, especially not in aircraft or any other form of air transport.
- **Caution: Power supply voltage !**
- **Assembly must be carried out by trained personnel. Any legal regulations or regulations issued by authorities must be observed during assembly.**
- The device may only be opened at the manufacturer's site. It does not contain any parts that can be replaced or repaired by the user.
- The cables must not be removed from the device.
- When calculating the required torque, the specifications supplied by the damper manufacturers (cross section, design, installation site), and the air flow conditions must be observed.
- The device contains electrical and electronic components and is not allowed to be disposed of as household refuse. All locally valid regulations and requirements must be observed.

Product features

- Simple direct mounting** Simple direct mounting on the damper spindle with a universal spindle clamp, supplied with an anti-rotation strap to prevent the actuator from rotating.
- Manual override** Manual operation is possible with the self-resetting pushbutton (the gearing latch remains disengaged as long as the pushbutton is pressed).
- Adjustable angle of rotation** Adjustable angle of rotation with mechanical end stops.
- High functional reliability** The actuator is overload-proof, requires no limit switches and automatically stops when the end stop is reached.
- Flexible signalization** Flexible signalization with adjustable auxiliary switch (0 ... 100%).

Accessories

	Description	Data sheet
Electrical accessories	Auxiliary switch S..A..	T2 - S..A..
	Feedback potentiometer P.A..	T2 - P.A..
Mechanical accessories	Various accessories (clamps, shaft extensions etc.)	T2 - Z-SM..A..

Electrical installation

Wiring diagrams

Note

- Caution: Power supply voltage !
- Other actuators can be connected in parallel. Please note the performance data.



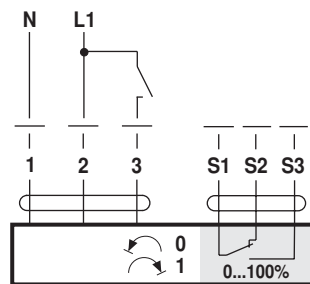
Direction of rotation



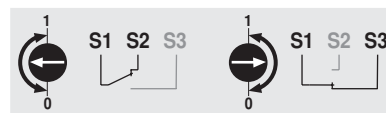
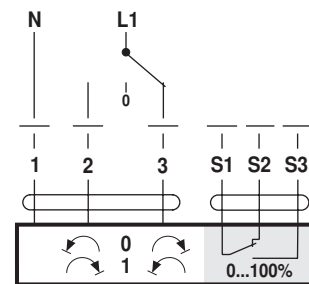
Auxiliary switch



Open-close control

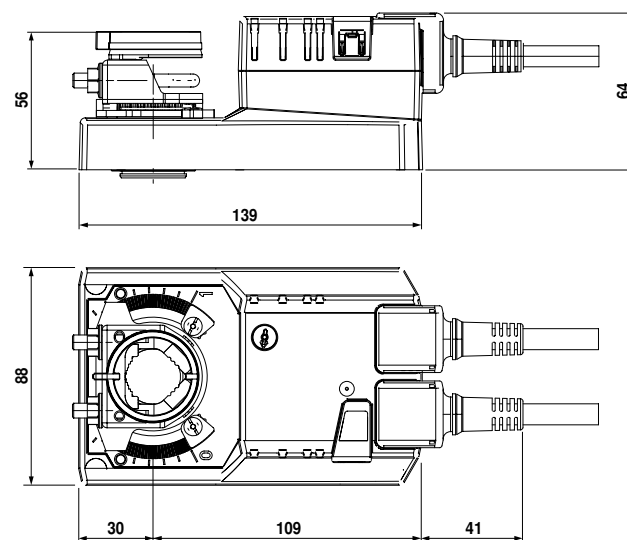


3-point control



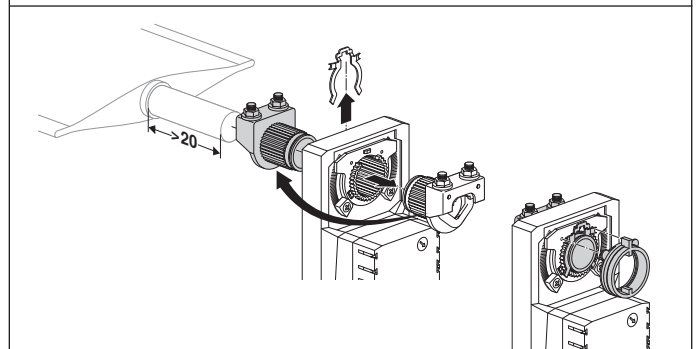
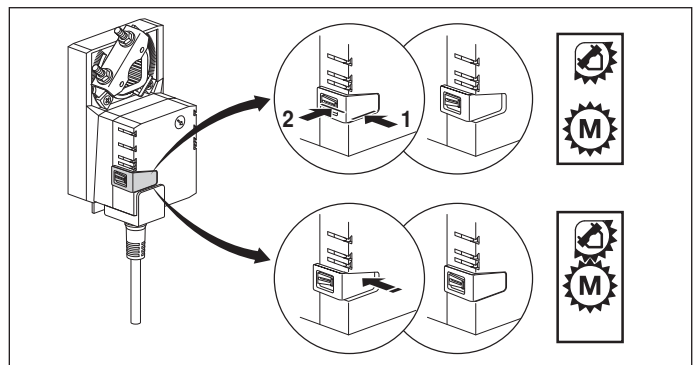
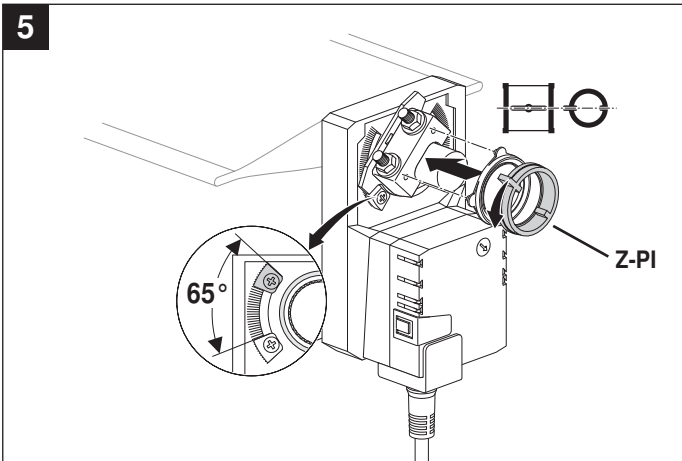
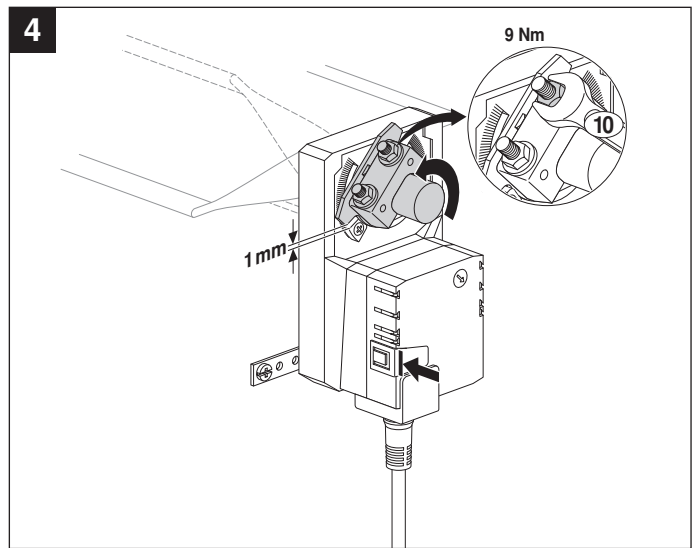
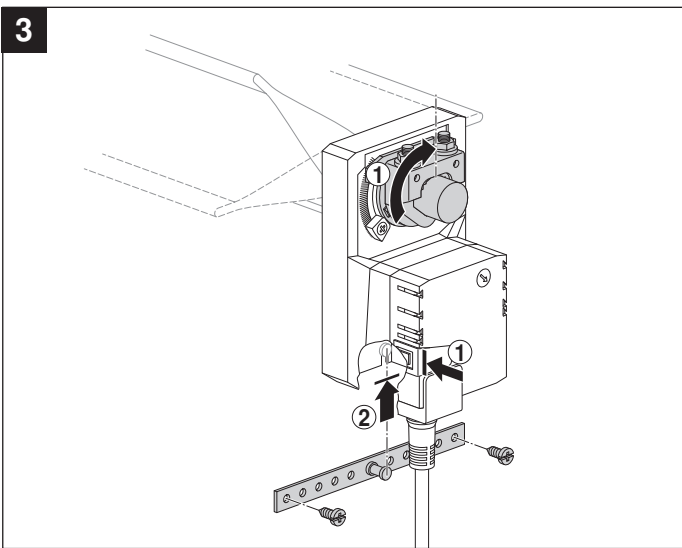
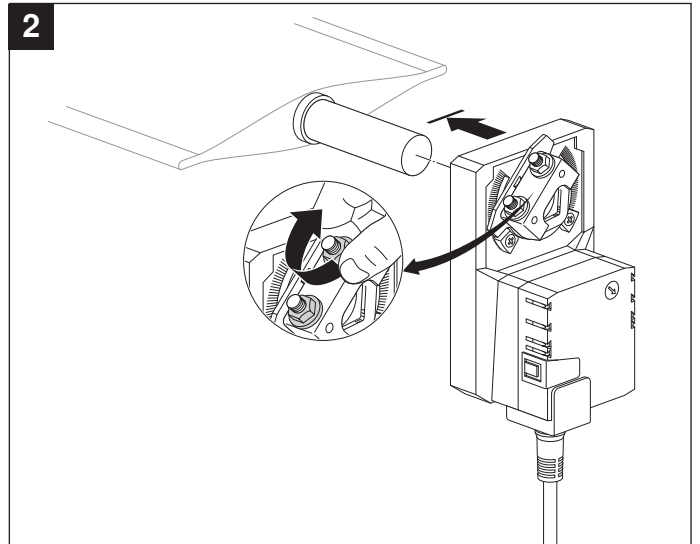
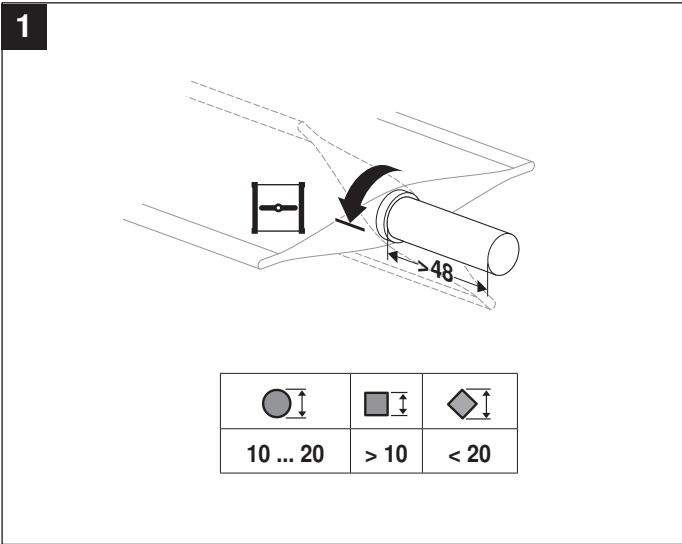
Dimensions [mm]

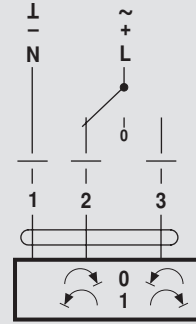
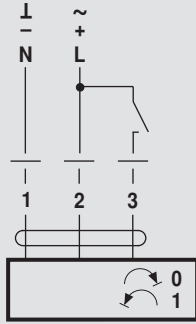
Dimensional drawings



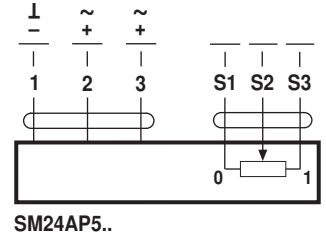
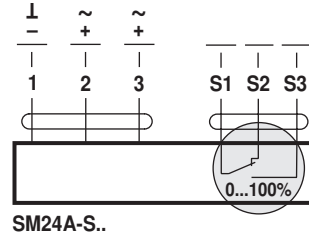
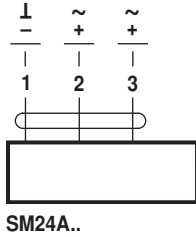
Damper spindle	Length	
Clamp on top	min. 42	10 ... 20 (26.7)
Clamp on bottom	min. 20	10 ... 20

70214-00003.C

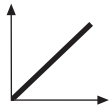
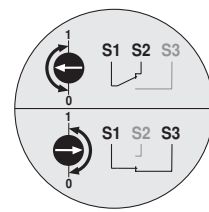
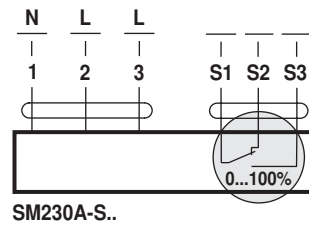
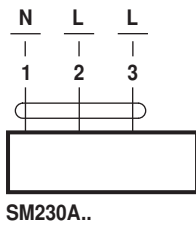




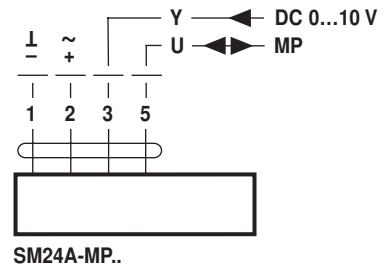
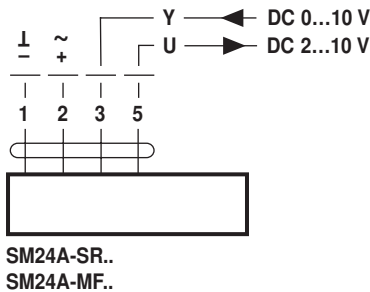
AC 24 V / DC 24 V



AC 100 ... 240 V



AC 24 V / DC 24 V



AC 100 ... 240 V

