

Damper actuator for operating air control dampers in ventilation and air-conditioning systems for building services installations

- For air control dampers up to approx. 2 m<sup>2</sup>
- Torque 10 Nm
- Nominal voltage AC/DC 24 V
- Control: Open-close or 3-point



## Technical data

<b>Electrical data</b>	Nominal voltage	AC 24 V, 50/60 Hz DC 24 V
	Nominal voltage range	AC/DC 19.2 ... 28.8 V
	Power consumption	In operation 1.5 W @ nominal torque At rest 0.2 W For wire sizing 3.5 VA
	Connection	Cable 1 m, 3 x 0.75 mm <sup>2</sup>
<b>Functional data</b>	Torque (nominal torque)	Min. 10 Nm @ nominal voltage
	Direction of rotation	Reversible with switch 0 ↺ or 1 ↻
	Manual override	Gearing latch disengaged with pushbutton, detentable
	Angle of rotation	Max. 95° <math>\sphericalangle</math>, limited on both sides by means of adjustable, mechanical end stops
	Running time	150 s / 90° <math>\sphericalangle</math>
	Sound power level	Max. 35 dB (A)
	Position indication	Mechanical, pluggable
<b>Safety</b>	Protection class	III Safety extra-low voltage
	Degree of protection	IP54 in any mounting position
	EMC	CE according to 89/336/EEC
	Mode of operation	Type 1 (EN 60730-1)
	Rated impulse voltage	0.8 kV (EN 60730-1)
	Control pollution degree	3 (EN 60730-1)
	Ambient temperature range	-30 ... +50 °C
	Non-operating temperature	-40 ... +80 °C
	Ambient humidity range	95% r.H., non-condensating (EN 60730-1)
	Maintenance	Maintenance-free
<b>Dimensions / Weight</b>	Dimensions	See «Dimensions» on page 2
	Weight	Approx. 750 g

## Safety notes



- The damper actuator is not allowed to be used outside the specified field of application, especially in aircraft or any other form of air transport.
- Assembly must be carried out by trained personnel. Any legal regulations or regulations issued by authorities must be observed during assembly.
- The device may only be opened at the manufacturer's site. It does not contain any parts that can be replaced or repaired by the user.
- The cable must not be removed from the device.
- When calculating the required torque, the specifications supplied by the damper manufacturers (cross section, design, installation site), and the air flow conditions must be observed.
- The device contains electrical and electronic components and is not allowed to be disposed of as household refuse. All locally valid regulations and requirements must be observed.

**Product features**

- Simple direct mounting** Simple direct mounting on the damper spindle with a universal spindle clamp, supplied with an anti-rotation strap to prevent the actuator from rotating.
- Manual override** Manual operation is possible with the pushbutton (the gearing latch remains disengaged as long as the pushbutton is pressed or detented).
- Adjustable angle of rotation** Adjustable angle of rotation with mechanical end stops.
- High functional reliability** The actuator is overload-proof, requires no limit switches and automatically stops when the end stop is reached.

**Accessories**

	Description	Data sheet
<b>Electrical accessories</b>	Auxiliary switch, type S..A..	T2 - S..A..
	Feedback potentiometer, type P..A..	T2 - P..A..
<b>Mechanical accessories</b>	Various accessories (clamps, shaft extensions etc.)	T2 - Z-NM..A..

**Electrical installation**

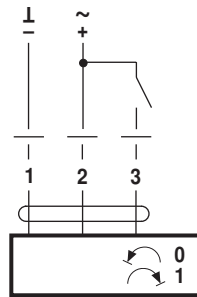
**Wiring diagrams**

**Notes**

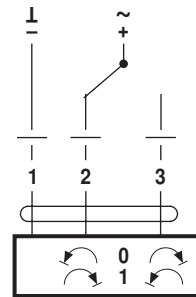
- Connection via safety isolating transformer.
- Other actuators can be connected in parallel.

Please note the performance data.

**Open-close control**



**3-point control**



Direction of rotation

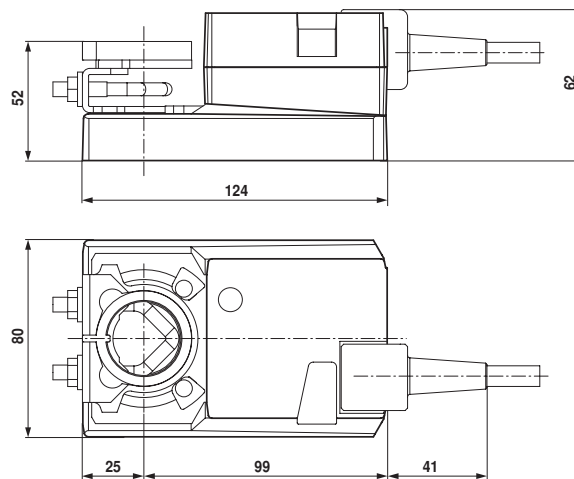


**Cable colours:**

- 1 = black
- 2 = red
- 3 = white

**Dimensions [mm]**

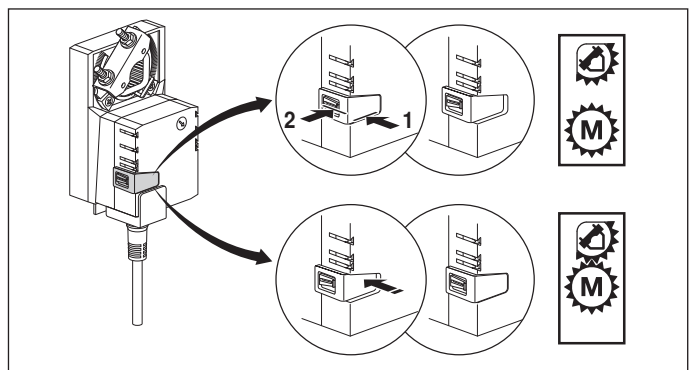
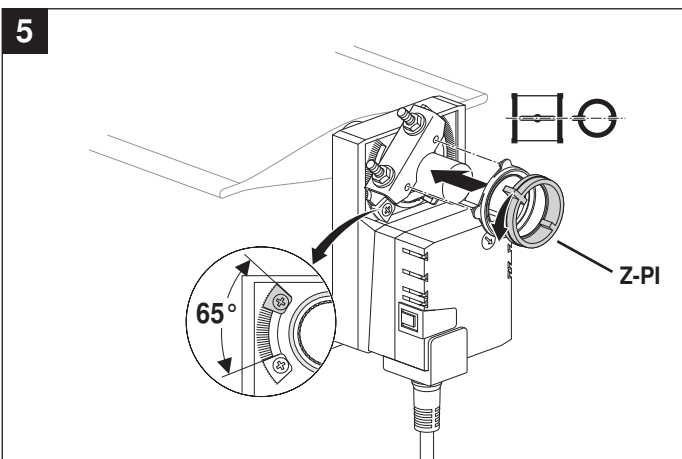
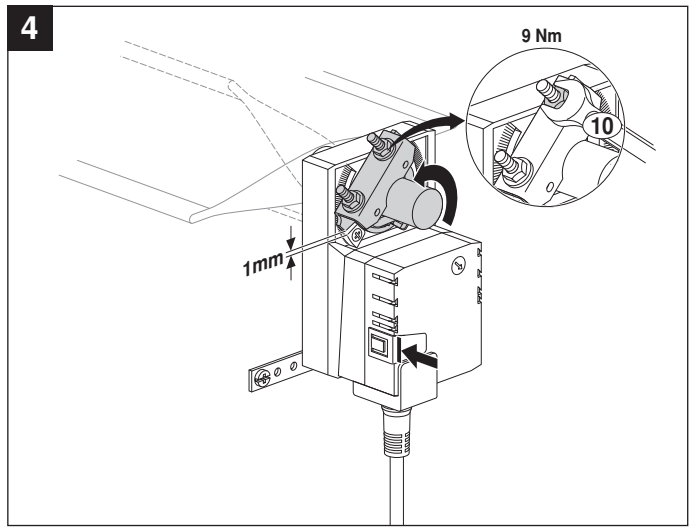
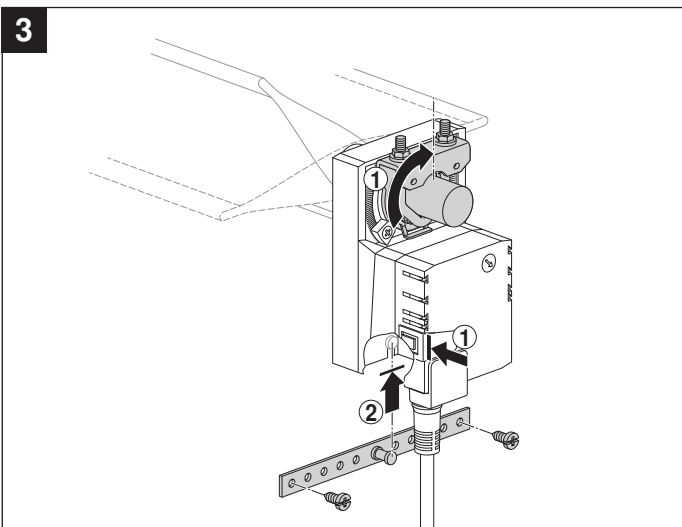
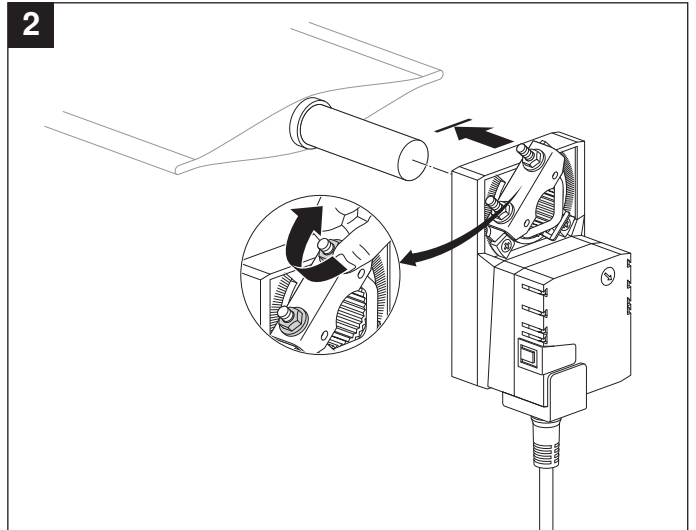
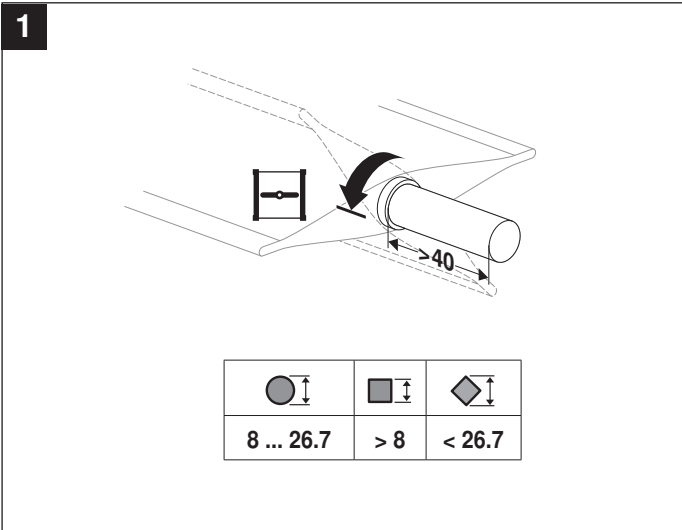
**Dimensional drawings**

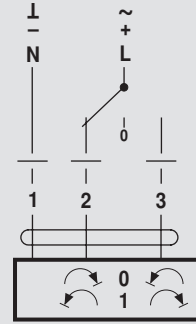
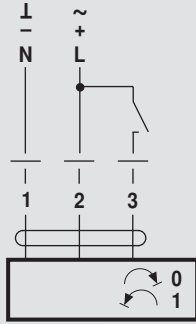


Damper spindle	Length	● I	■ I	◆ I
	>40	8 ... 26.7	>8	<26.7
	>20	8 ... 20	>8	<20

\* Option (Accessory K-NA)

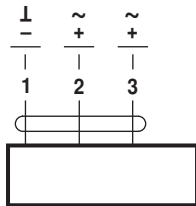
70214-00002.D



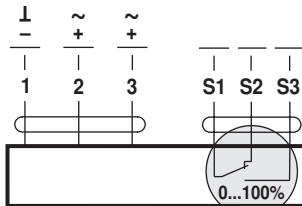


AC 24 V / DC 24 V

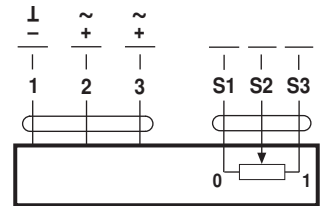
DC 48 ... 110 V  
(NM72A..)



NM24A..  
NM72A..

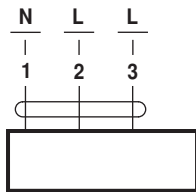


NM24A-S..

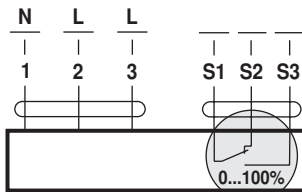


NM24AP5..

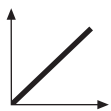
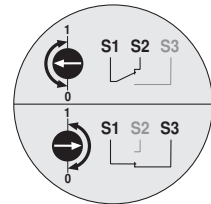
AC 100 ... 240 V



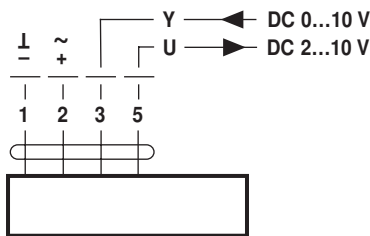
NM230A..



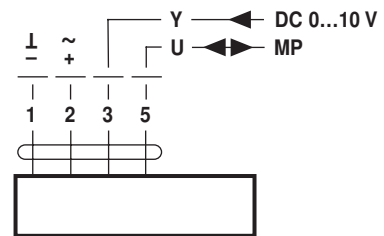
NM230A-S..



AC 24 V / DC 24 V

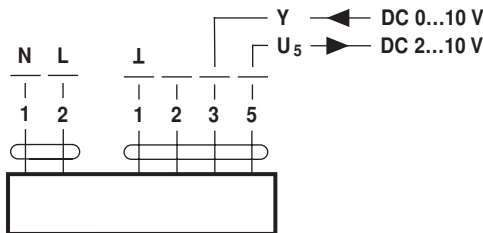


NM24A-SR..  
NM24A-MF..



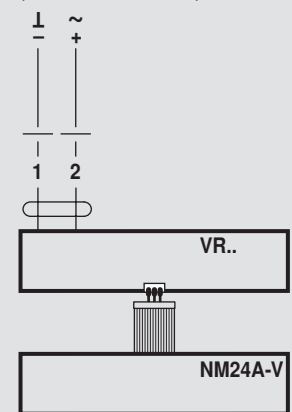
NM24A-MP..

DC 48 ... 110 V  
(NM72A-SR..)



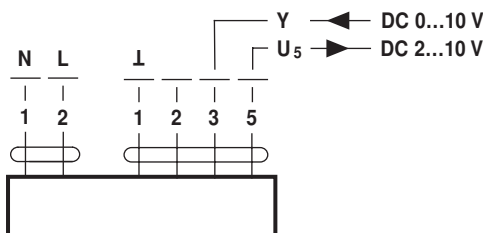
NM72A-SR..

AC 24 V / DC 24 V  
(NM24A-V / VR..)



NM230A-V / VR..

AC 100 ... 240 V



NM230ASR..