

Rotary actuator for 2 and 3-way (control) ball valves

- Torque 5 Nm
- Nominal voltage AC 100 ... 240 V
- Control: Open/close or 3-point


**Technical data**

<b>Electrical data</b>	Nominal voltage	AC 100 ... 240 V, 50/60 Hz
	Power supply range	AC 85 ... 265 V
	Power consumption	In operation 1.5 W at nominal torque At rest 0.4 W For wire sizing 4 VA
	Connection	Cable 1 m, 3 x 0.75 mm <sup>2</sup>
	Parallel connection	Possible, note performance data
<b>Functional data</b>	Torque (nominal torque)	Min. 5 Nm at nominal voltage
	Manual override	Gearing latch disengaged with pushbutton (temporary-permanent)
	Running time	90 s / 90° ↯
	Noise level	Max. 35 dB (A) (without the valve)
	Position indication	Mechanical, add-on
<b>Safety</b>	Protection class	II Totally insulated <input type="checkbox"/>
	Degree of protection	IP54 in any mounting position
	EMC	CE according to 89/336/EEC
	Low voltage directive	CE according to 73/23/EWG
	Mode of operation	Type 1 (to EN 60730-1)
	Rated impulse voltage	4 kV (to EN 60730-1)
	Control pollution degree	3 (to EN 60730-1)
	Ambient temperature range	0 ... +50°C
	Media temperature	+5 ... +110°C in (control) ball valve -10°C with stem heating upon request
	Non-operating temperature	-40 ... +80°C
	Ambient humidity range	95% r.H., non-condensating (to EN 60730-1)
Maintenance	Maintenance-free	
<b>Dimensions / Weight</b>	Dimensions	See «Dimensions» on page 2
	Weight	Approx. 550 g

**Safety notes**


- The rotary actuator has been designed for use in stationary heating, ventilation and air conditioning systems and is not allowed to be used outside the specified field of application, especially in aircraft or in any other airborne means of transport.
- Caution power supply voltage!
- It may only be installed by suitably trained personnel.  
All applicable legal or institutional installation regulations must be complied with.
- The switch for changing the direction of rotation may only be operated by authorized personnel. The direction of rotation must not be reversed in a frost protection circuit.
- The device may only be opened at the manufacturer's site. It does not contain any parts that can be replaced or repaired by the user.
- The cable must not be removed from the device.
- The device contains electrical and electronic components and is not allowed to be disposed of as household refuse. All locally valid regulations and requirements must be observed.

## Product features

- Simple direct mounting** Straightforward direct mounting on the ball valve with only one screw. The assembly tool is integrated in the plug-on position indicator. The mounting position in relation to the ball valve can be selected in 90° steps.
- Adjustable angle of rotation** Adjustable angle of rotation with mechanical end stops.
- High functional reliability** The actuator is overload-proof, requires no limit switches and automatically stops when the end stop is reached.

## Accessories

	Description	Data sheet
Electrical accessories	Auxiliary switch S..A..	T2 - S..A..
	Feedback potentiometer P..A..	T2 - P..A..

## Electrical installation

### Wiring diagram

#### Notes

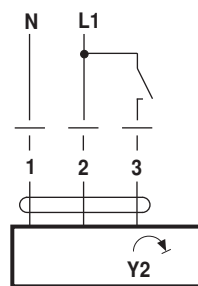
- Caution power supply voltage!
- Parallel connection of other actuators possible. Note performance data.
- Direction of rotation switch is covered. Factory setting: Direction of rotation Y2



Direction of rotation

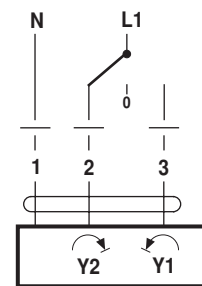


### Open-close control



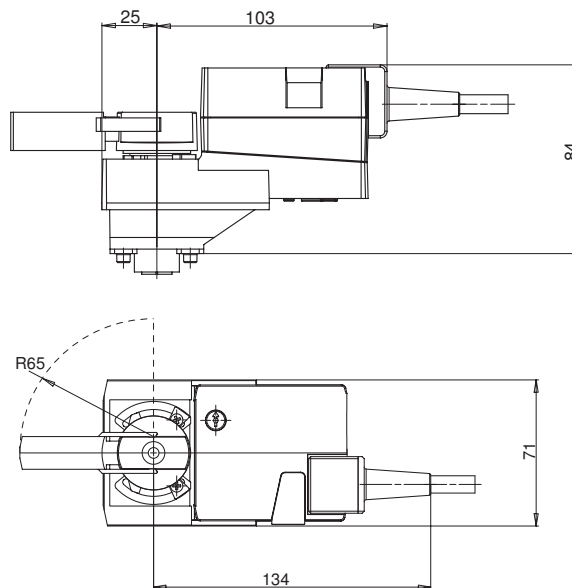
Rotary actuator	Rotary valve
Y2	A - AB = 0%

### 3-point control



## Dimensions [mm]

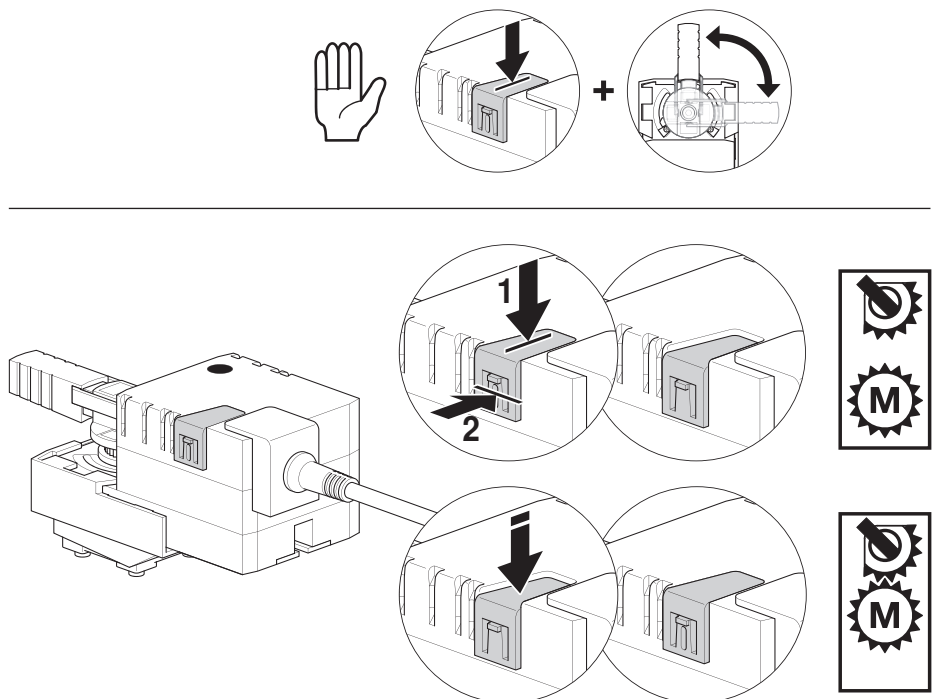
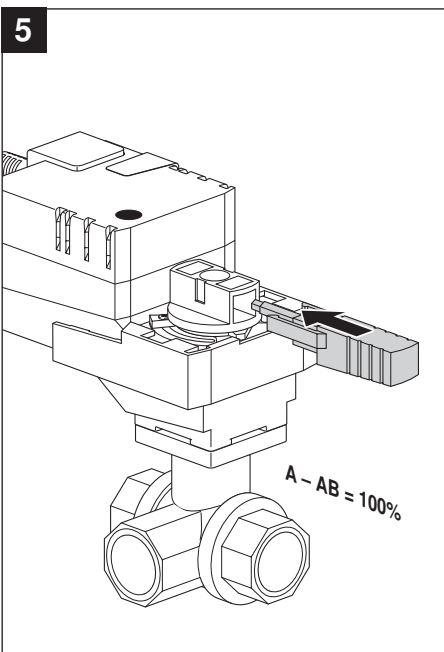
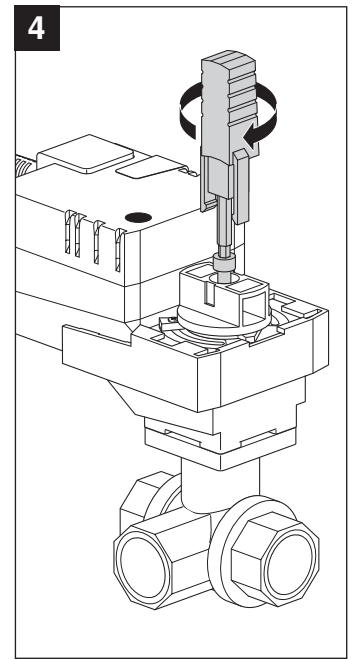
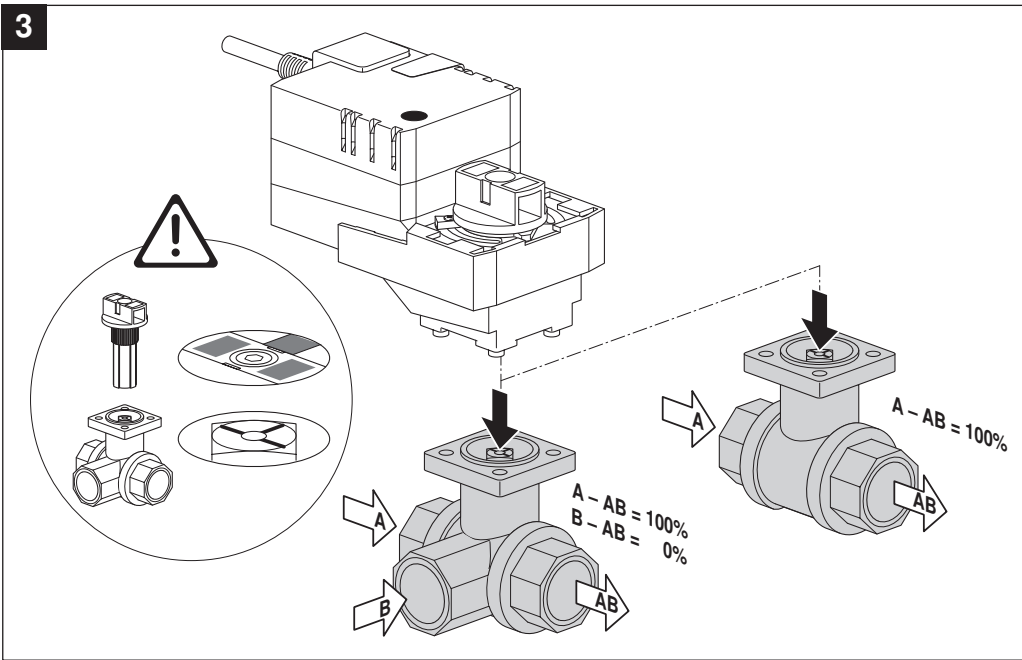
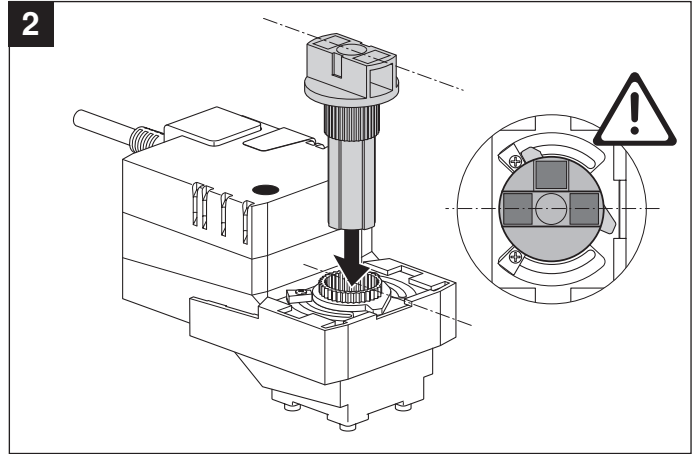
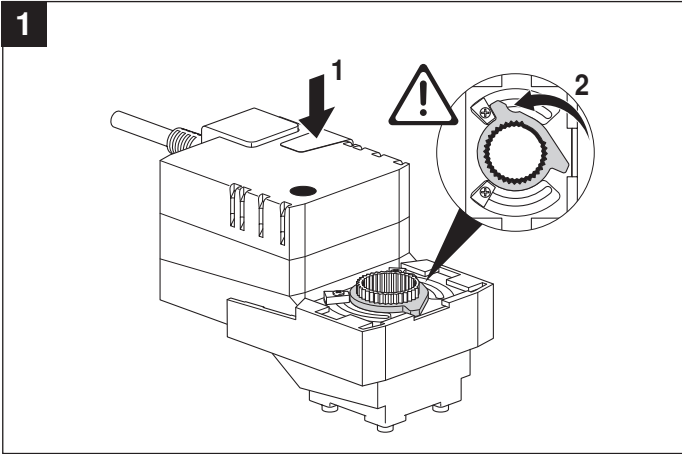
### Dimensional diagrams

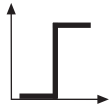
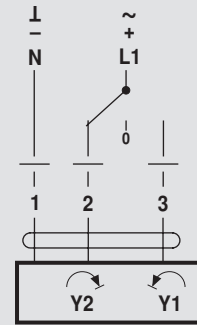
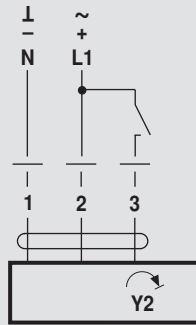


### Further documentations

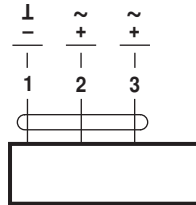
- Complete overview of actuators for water solutions
- Data sheets for ball valves
- Installation instructions for actuators and/or ball valves
- Notes for project planning (hydraulic characteristic curves and circuits, installation regulations, commissioning, maintenance etc.)

70368-00001.D

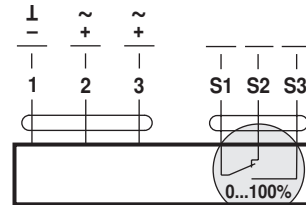




AC 24 V / DC 24 V

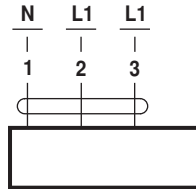


LR24A  
SR24A

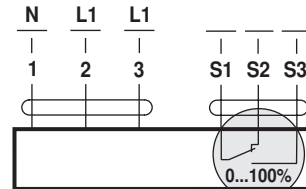


LR24A-S  
SR24A-S

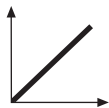
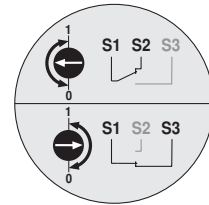
AC 100 ... 240 V ⚠



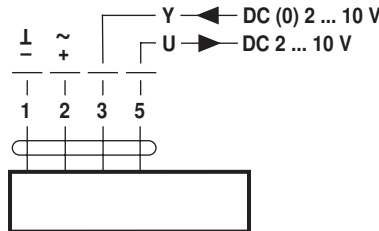
LR230A  
SR230A



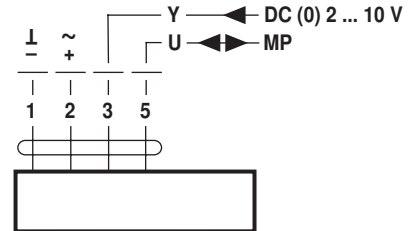
LR24A-S  
SR24A-S



AC 24 V / DC 24 V



LR24A-SR SR24A-SR  
TRC24A-SR  
LRC24A-SR



LR24A-MP  
SR24A-MP

LONWORKS® AC 24 V / DC 24 V

