

Rotary actuator in connection with a mounting kit for the motorisation of the most common mixing valves in HVAC systems

- Torque 10 Nm
- Nominal voltage AC 24 V
- Control: Open/close or 3-point



Technical data

Electrical data	Nominal voltage	AC 24 V, 50/60 Hz
	Power supply range	AC 19.2 ... 28.8 V
	Power consumption	In operation 1.5 W at nominal torque
		For wire sizing 1.5 VA
	Connection	Terminals 4 mm ² (cable Ø 6 ... 8 mm, three-core)
	Parallel connection	No
Functional data	Torque (nominal torque)	Min. 10 Nm at nominal voltage
	Position accuracy	±5%
	Manual override	Temporary and permanent disengagement of the gearing latch by means of the rotary knob on the housing
	Running time	140 s / 90°↔
	Sound power level	Max. 35 dB (A)
	Position indication	Reversible scale plate 0 ... 1
Safety	Protection class	III Extra low voltage
	Degree of protection	IP40
	EMC	CE according to 89/336/EEC
	Mode of operation	Type 1.B (to EN 60730-1)
	Rated impulse voltage	0.8 kV (to EN 60730-1)
	Control pollution degree	3 (to EN 60730-1)
	Ambient temperature range	0 ... +50 °C
	Media temperature	+5 ... +120 °C (in mixing body)
	Non-operating temperature	-30 ... +80 °C
	Ambient humidity range	95% r.H., non-condensating (to EN 60730-1)
Maintenance	Maintenance-free	
Dimensions / Weight	Dimensions	See «Dimensions» on page 2
	Weight	Approx. 500 g

Safety notes



- The actuator has been designed for use in stationary heating, ventilation and air conditioning systems and is not allowed to be used outside the specified field of application, especially in aircraft or in any other airborne means of transport.
- It may only be installed by suitably trained personnel.
All applicable legal or institutional installation regulations must be complied with.
- The device does not contain any parts that can be replaced or repaired by the user.
- To calculate the torque required, the specifications supplied by the mixing valve manufacturer must be observed.
- The device contains electrical and electronic components and is not allowed to be disposed of as household refuse. All locally valid regulations and requirements must be observed.

Product features

- Simple direct mounting** Straightforward direct mounting with only one screw. The mounting position in relation to the mixing valve can be selected in 90° \leftarrow steps.
- Manual operation** Manual operation possible by lever (temporary disengagement of the gearing latch by pressing, permanent disengagement by means of the rotary knob on the housing).
- Functional reliability** The actuator switches off automatically when the end stops are reached.

Accessories

Description

- Mechanical accessories** Mounting kits for ESBE, Termomix, Pommerening, Dumserwerk, Lovato, Landis & Staefa, Lazzari, Oventrop, Meibes, Wita, Holter, Satchwell and Centra mixing valves.

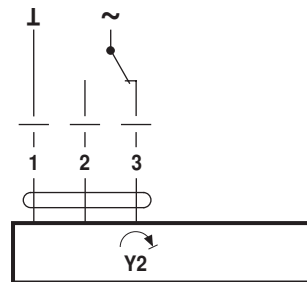
Electrical installation

Wiring diagrams

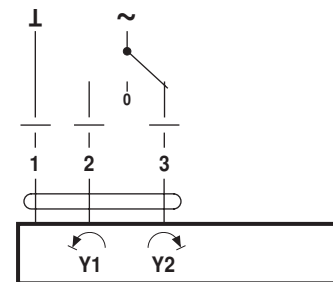
Note
Connect via safety isolation transformer.



Open-close control

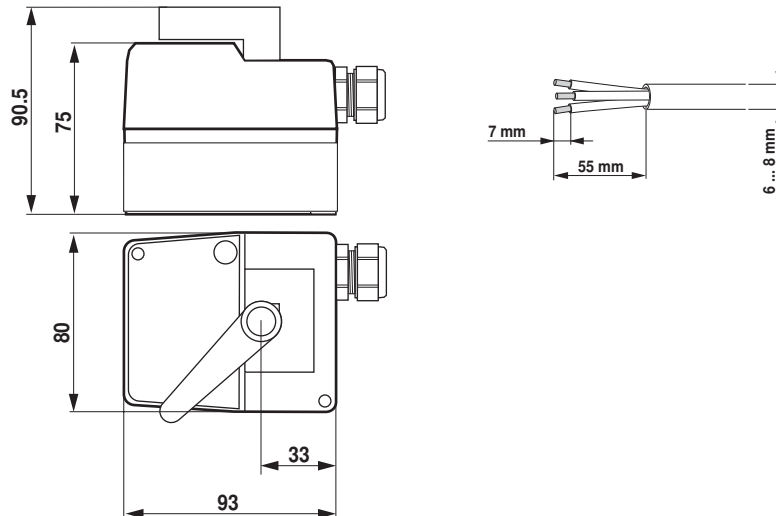


3-point control

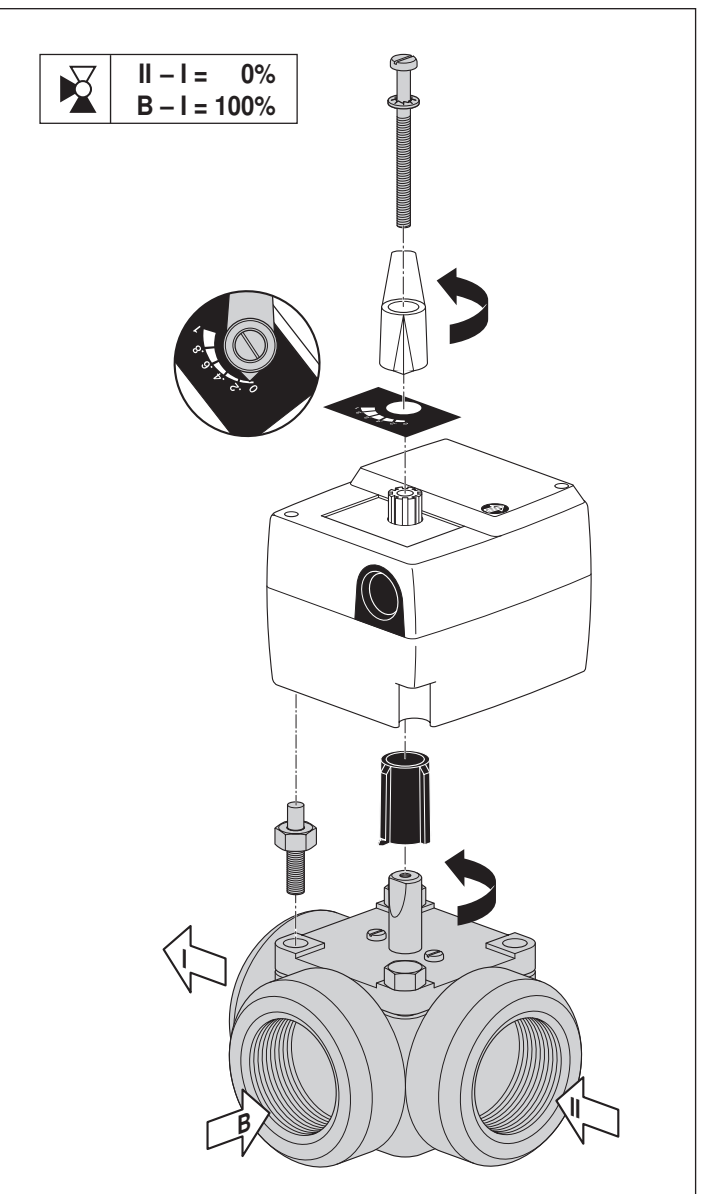
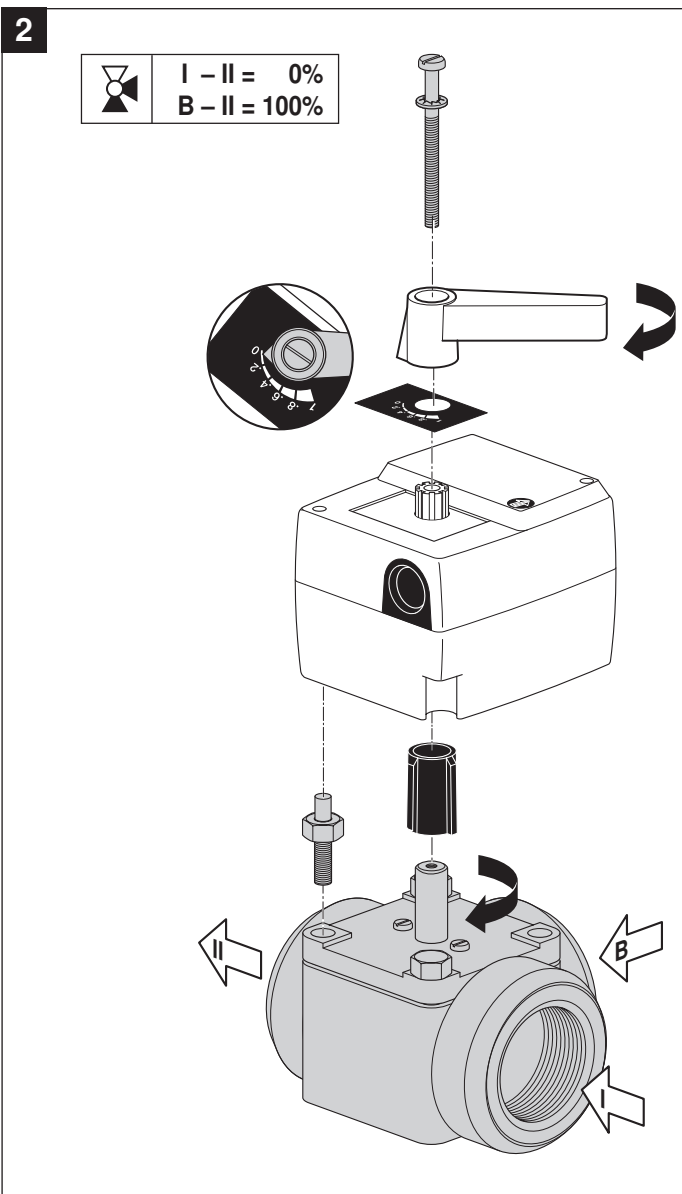
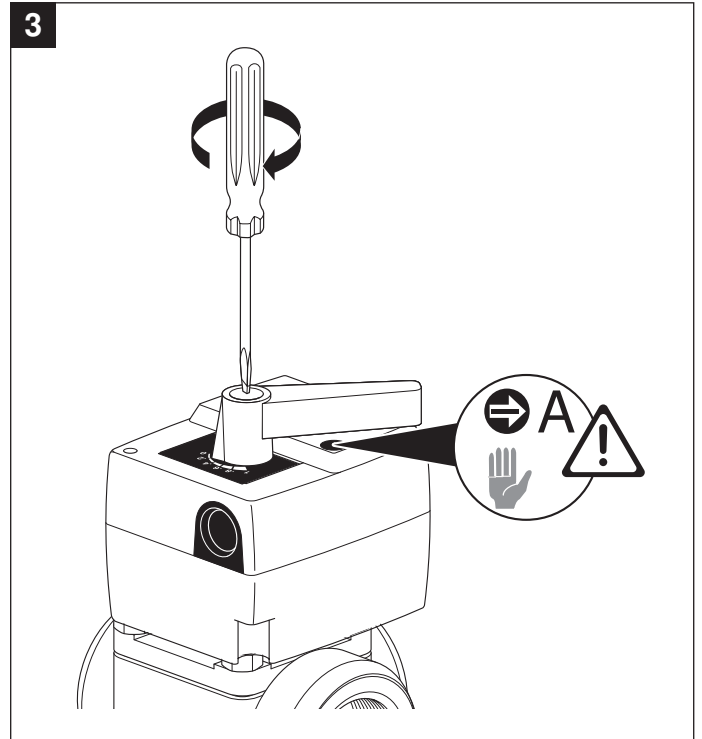
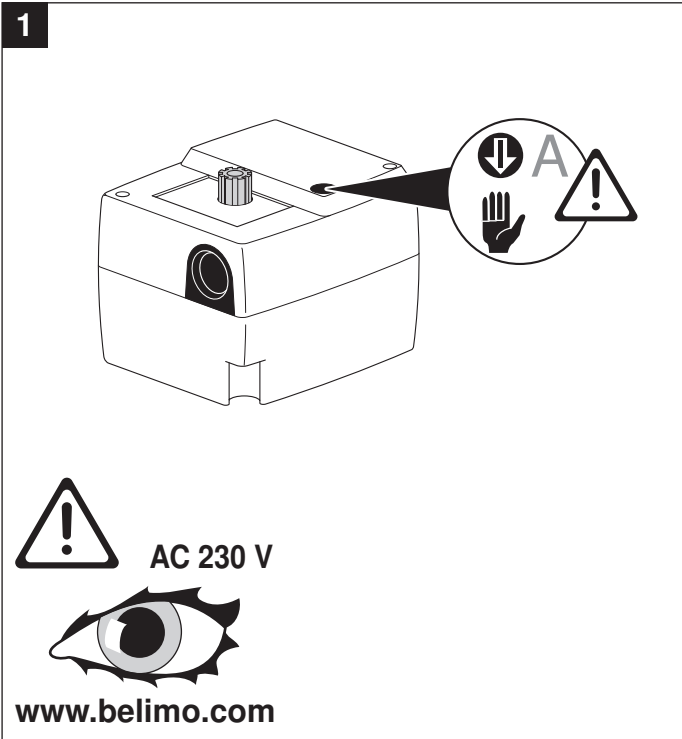


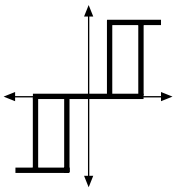
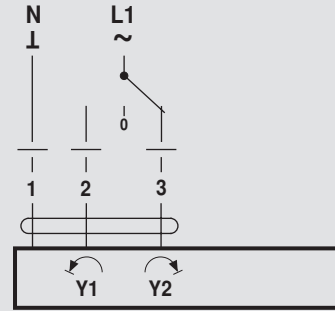
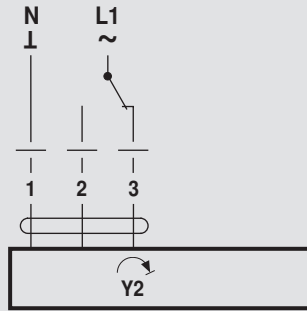
Dimensions [mm]

Dimensional diagrams

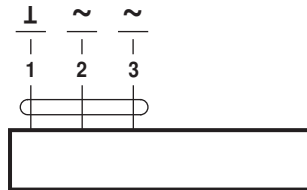


70722-00001.A

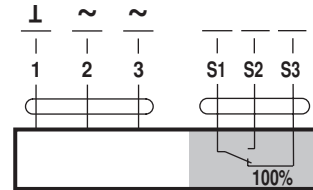




AC 24 V

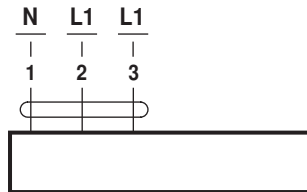


HT..24-3-T

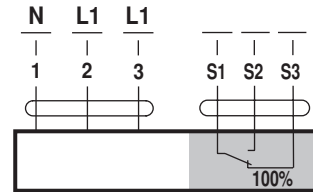


HT..24-3-S

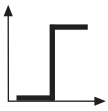
AC 230 V



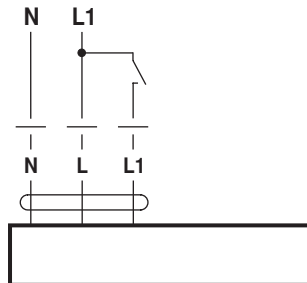
HT..230-3-T



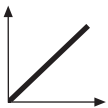
HT..230-3-S



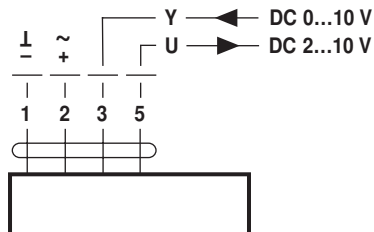
AC 230 V



HT..230-1-T



AC 24 V / DC 24 V



HT..24-SR-T



AC 230 V



www.belimo.com